

## Cooker hob S4000 Line XL

Gas hobs

Code: 7285 032



### DETAILS

Edge/Installation Type Flush-mount | Top-mount

---

Finish Foster brushed

---

Material AISI 304 stainless steel

---

Texture Brushed in line

---

Supply 220-240 V; 50/60 Hz

---

Dimensions 925x465 mm

---

Base size 90cm

---

Heating element three burners

---

Built-in hole [View technical data sheet](#)

---

Grids Cast iron grids and enamelled burner covers

---

Width 92 cm

---

Total power 6.650 W

---

Auxiliary 1.100 W

---

Semirapid 1.750 W

---

Triple crown 3.800 W

---

Safety Safety valve with quick-acting thermocouple

---

Ignition Electric ignition under knob

---

Gas type Tested for installation with natural gas, LPG nozzle set included.

---

Type Gas Hob

---

## EQUIPMENT

3 x Cast iron pot support 9601  
741  
1 x Cast iron wok support 9601  
668

---

## FEATURES

Under-knob ignition The utmost freedom of movement with electronic under-knob ignition, a common feature of all models that allows a one-hand ignition of the burner.

---

## lil series burners

lil series burners: 20% gas savings. They guarantee an efficiency well above the European standards. Furthermore, the improved combustion of gas allows the development of higher powers. From the point of view of safety, the blocking system between the cover and the flame-spreader guarantees perfect positioning and greater ease of cleaning.

---

## Special burners

Many Foster hobs are equipped with special burners, with two or three rings of fire that greatly increase the power delivered and the heated surface. In the DUAL models the two fire crowns also have independent ignition, making these burners perfect for both intensive and delicate cooking.

---

## Safe cooking

All Foster cooker hobs are equipped with safety valves. They shut off the gas supply very quickly if the flame accidentally goes out.

---

## Cast iron grids

Cast-iron is the ideal material for an hob grid, this due to the manifold properties characterising it: high heat capacity that improves cooking performance; high weight and stability that improve safety; sturdiness that preserves the hob's original aspect over time; easy cleaning.

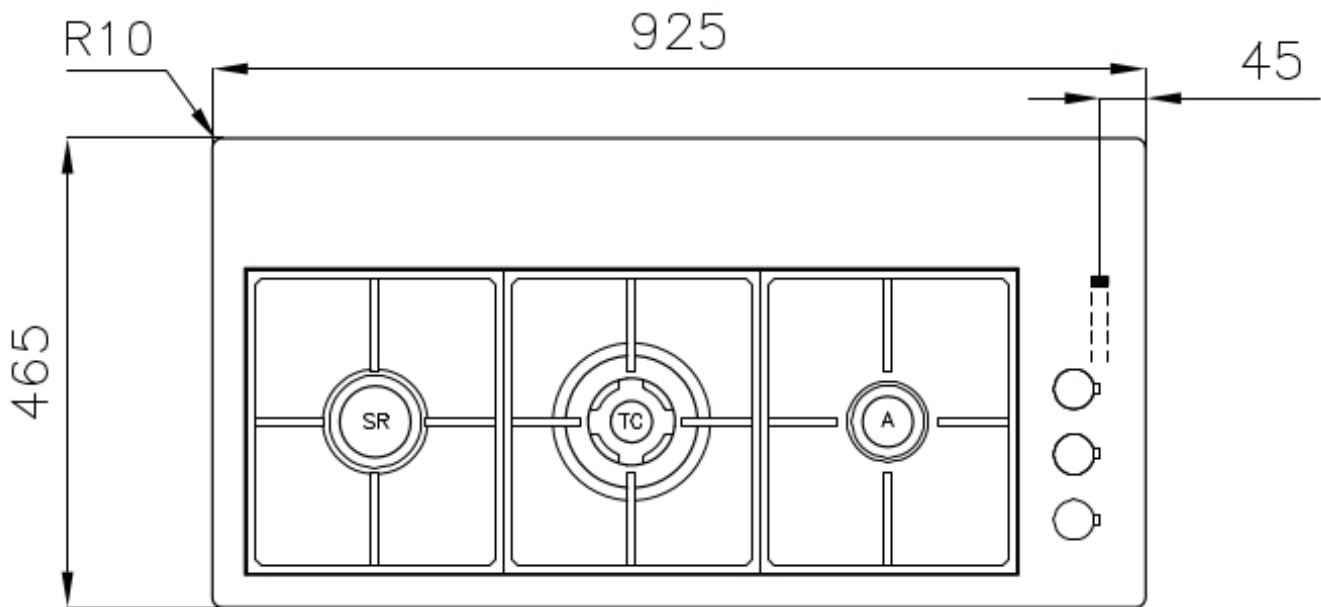
---

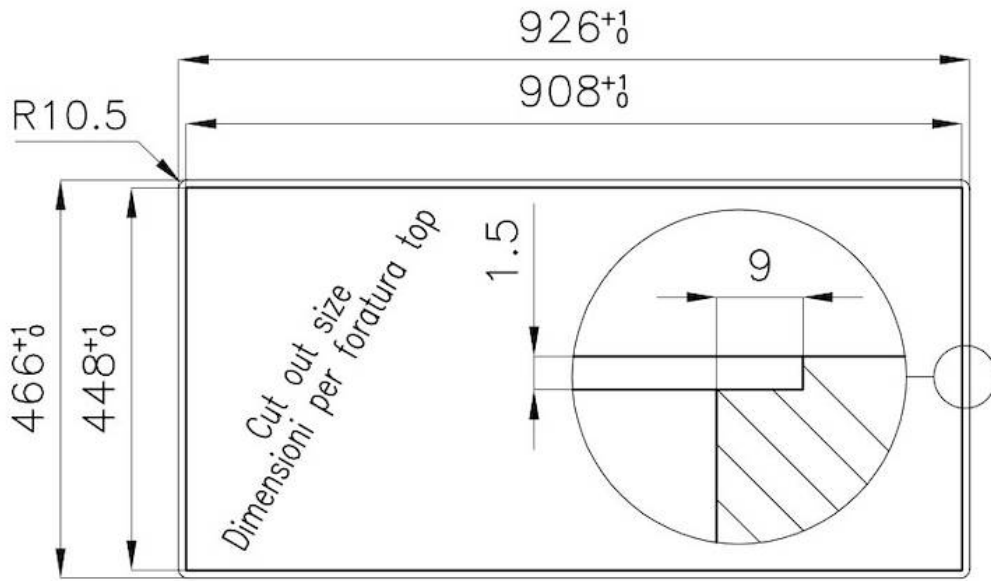
## Ultra-flat hob

Design meets functionality in the the ultra-flat models. Elegant grids that form a generously sized overall surface.

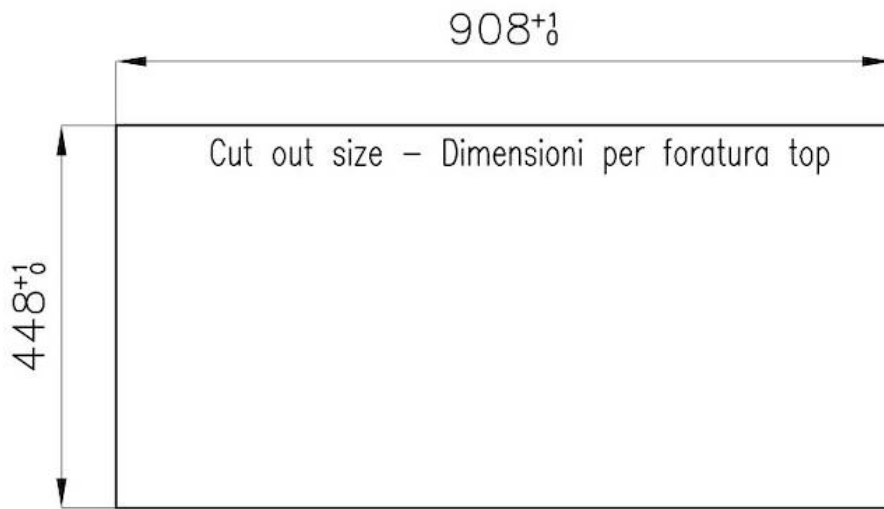
---

## TECHNICAL DATA





**FT**



**FTS**

## GALLERY



## EQUIPMENT



**Cast iron pot support**  
9601 741



**Cast iron wok support**  
9601 668

## RECOMMENDED PAIRINGS



**Hood Ghost 90 Filotop**  
2451 090



**Sink Quadra**  
1220 050